

Reliable®

Model G4-300 300 psi (20,7 bar) Rated Concealed Automatic Sprinkler

The G4-300 Concealer® A Concealed Sprinkler With a ½" (13mm) or 1½" (38mm) Adjustment

Features

1. Cover plate attachment (Plain or Perforated) with ½" (13mm) cover plate adjustment.
2. Simple sturdy cover attachment.
3. Smooth aesthetic ceiling profile.
4. Factory installed protective cap.
5. Available in brass, chrome or black plated and white painted finishes.
6. Ordinary and intermediate temperature rating.
7. 300 psi (20,7 bar) maximum pressure rating.

Listings and Approvals

1. Underwriters Laboratories, Inc.
2. Certified for Canada by Underwriters Laboratories Inc.
3. NYC MEA 258-93-E

Note: Approvals are for Light and Ordinary Hazard. The cup and skirt are fabricated from plated steel and are recommended for interior, non-corrosive applications.

U.S. Patent Number 4,800,063.

Application

The Reliable Model G4-300 Concealer® is a versatile standard response concealed sprinkler. It provides the best form of fire protection while offering an attractive appearance and ½" (13mm) of cover adjustment for ease of installation. The small diameter cover plate is easily and positively attached and blends into the ceiling, concealing dependable fire protection; an automatic sprinkler system.



The Model G4-300 Concealer® is designed for use where aesthetic appearance is important. It can be used at working pressures up to 300 psi (20,7 bar). The Model G4-300 Concealer® is a UL Listed Standard Response Concealed sprinkler intended for use in accordance with NFPA 13.

Product Description

The Reliable Model G4-300 Concealer® uses the proven Model G fusible element in a standard style sprinkler frame with a drop down deflector. This assembly is recessed into the ceiling and concealed by a flat cover plate. The cover plate and sprinkler cup assemblies are attached using a strong threaded engagement. This threaded engagement provides ½" (13mm) of cover adjustment. The cover plate is attached to the skirt using an ordinary temperature classification solder. This result in strong cover plate assembly with an ordinary temperature rating, and an intermediate temperature sprinkler which can be installed in 150°F (66°C) environments. When the temperature at the ceiling rises, the solder holding the cover plate fuses, allowing the release of this part and thus exposing the sprinkler inside to the rising ambient temperature.

The Reliable Automatic Sprinkler Co., Inc., 103 Fairview Park Drive, Elmsford, New York 10523

Installation

Refer to Figures 1, 2, and 3

Do not install the G4-300 Concealer® in ceilings which have positive pressure in the space above.

After a 2⁵/₈" (67mm) diameter hole is cut in the ceiling, the sprinkler is easily installed with the Model G4 Wrench. The wrench has drive tangs which insert into the cup slots. When installing a sprinkler the wrench is first positioned into the sprinkler/cup assembly until the wrench tangs engage the drive slots in the top of the cup (there are two sets of drive slots in the cup). The sprinkler is then tightened into the pipe fitting. When inserting or removing the wrench from the sprinkler/cup assembly care should be taken to prevent damage to the sprinkler. **DO NOT WRENCH ON ANY OTHER PART OF THE SPRINKLER/CUP ASSEMBLY.** Final adjustment of the cover is made by hand turning the cover in the clockwise direction until it is tight against the ceiling.

A protective cap is provided to protect the drop-down sprinkler deflector from damage which could occur during construction before the cover plate is installed. The cap is factory installed inside the sprinkler cup. Remove cap to install sprinkler, then re-install cap until the cover plate is installed.

Maintenance

The Model G4-300 Concealed Sprinklers should be inspected and the sprinkler system maintained in accordance with NFPA 25. Do not clean sprinklers with soap and water, ammonia or any other cleaning fluids. Remove any sprinkler that has been painted (other than factory applied) or damaged in any way. A stock of spare sprinklers should be maintained to allow quick replacement of damaged or operated sprinklers. Prior to installation, sprinklers should be maintained in the original cartons and packaging to minimize the potential for damage to sprinklers that would cause improper operation or non-operation.

Cover Plate Finishes⁽¹⁾

Standard Finishes
Chrome
White Paint
Special Application Finishes ⁽²⁾
Bright Brass
Finished Bronze
Black Plating
Black Paint
Off White
Satin Chrome

⁽¹⁾ Other finishes and colors are available on special order. Consult factory for details. Cover plate custom paint is semi-gloss, unless specified otherwise.

⁽²⁾ For the perforated style cover plate, consult factory for availability on these and other custom finishes.

Note: Paint or any other coatings applied over the factory finish will void all approvals and warranties.

Ordering Information

Specify:

1. Sprinkler Model
2. Nominal Orifice
3. Cover Plate Finish
4. Inlet Type



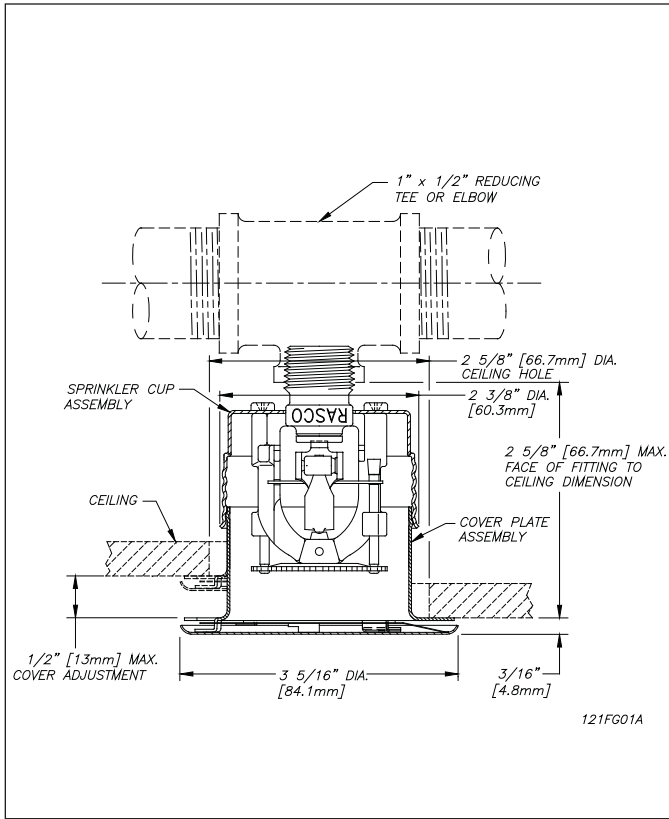
Model G4 Sprinkler Wrench

Standard Temperature Ratings

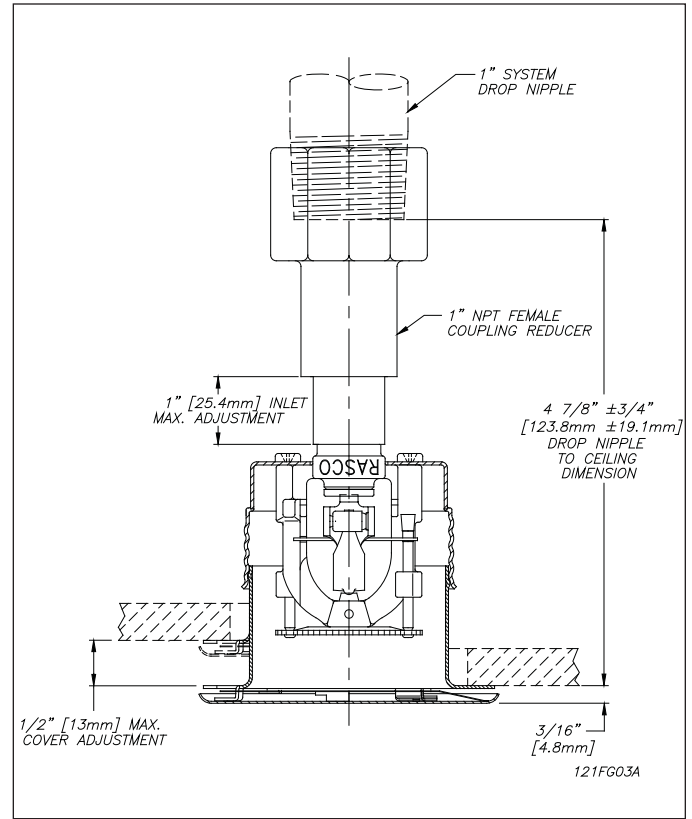
Classification	Sprinkler	Cover Plate	Max. Ambient Temp.
Ordinary	135°F/57°C	135°F/57°C	100°F/38°C
Ordinary	165°F/74°C	135°F/57°C	100°F/38°C
Ordinary	165°F/ 74°C	165°F/74°C	100°F/38°C
Intermediate	212°F/100°C	165°F/74°C	150°F/66°C

Technical Data

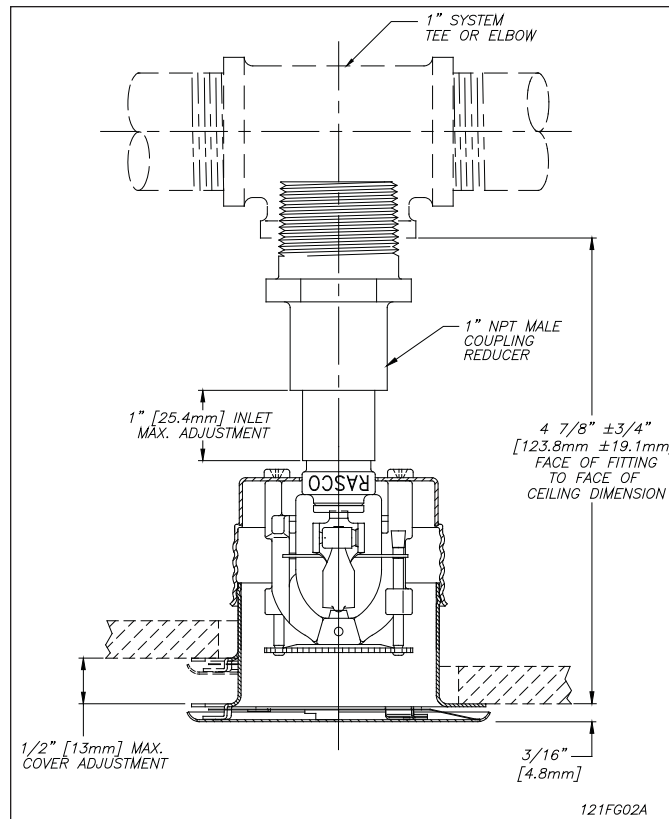
Sprinkler Inlet	Total Adjustment	Nominal Orifice	Nominal K Factor		Thread	Approvals	Sprinkler Identification Number (SIN)
			US	Metric			
Non Adjustable	½" (13mm)	½" (15mm)	5.6	80	½" NPT (R½)	1, 2, 3	R6115
Adjustable	1½" (38mm)	½" (15mm)	5.6	80	1" NPT Male or Female	1, 2, 3	R6118



1/2" NPT (R1/2) Non-Adjustable Inlet
Figure. 1



1" NPT Female-Adjustable Inlet
Figure. 2



1" NPT Male-Adjustable Inlet
Figure. 3

Reliable...For Complete Protection

Reliable offers a wide selection of sprinkler components. Following are some of the many precision-made Reliable products that guard life and property from fire around the clock.

- Automatic sprinklers
- Flush automatic sprinklers
- Recessed automatic sprinklers
- Concealed automatic sprinklers
- Adjustable automatic sprinklers
- Dry automatic sprinklers
- Intermediate level sprinklers
- Open sprinklers
- Spray nozzles
- Alarm valves
- Retarding chambers
- Dry pipe valves
- Accelerators for dry pipe valves
- Mechanical sprinkler alarms
- Electrical sprinkler alarm switches
- Water flow detectors
- Deluge valves
- Detector check valves
- Check valves
- Electrical system
- Sprinkler emergency cabinets
- Sprinkler wrenches
- Sprinkler escutcheons and guards
- Inspectors test connections
- Sight drains
- Ball drips and drum drips
- Control valve seals
- Air maintenance devices
- Air compressors
- Pressure gauges
- Identification signs
- Fire department connection

The equipment presented in this bulletin is to be installed in accordance with the latest published Standards of the National Fire Protection Association, Factory Mutual Research Corporation, or other similar organizations and also with the provisions of governmental codes or ordinances whenever applicable.

Products manufactured and distributed by Reliable have been protecting life and property for over 90 years, and are installed and serviced by the most highly qualified and reputable sprinkler contractors located throughout the United States, Canada and foreign countries.

Manufactured by

Reliable[®]

The Reliable Automatic Sprinkler Co., Inc.

(800) 431-1588

(800) 848-6051

(914) 829-2042

www.reliablesprinkler.com

Sales Offices

Sales Fax

Corporate Offices

Internet Address



Recycled
Paper

Revision lines indicate updated or new data.

EG. Printed in U.S.A. 10/13

P/N 9999970165